

## **SENTINEL NV SERIES**

Automatic Boom Gates

---



### **Standard Features:**

- \* Automatic boom raise on power failure or fire alarm.
- \* Boom pole type. 76mm round aluminium pole up to 6 metres
- \* Memory input enables a number of vehicles to pass the boom without opening and closing for each vehicle allowing rapid exit and entry of vehicles.
- \* Time out if vehicle reverses out. A vehicle may raise the boom and then reverse out, the logic will time out and lower the boom
- \* Roll back protection. It is possible for a vehicle to roll backwards under the closing boom, the logic will raise the boom again until the vehicle moves forward off the closing loop.
- \* Facility for free exit loop detector.
- \* Selectable sensitivity boost. This feature automatically boosts the sensitivity to a maximum on detection of a vehicle and is used to prevent loss of detection of high-bed vehicles.

---

P.O. Box 425, Albany Creek, QLD 4035, Australia

T: +61 (0)7 3205 1123

E: [info@rotech.com.au](mailto:info@rotech.com.au)

F: +61 (0)7 3205 1124

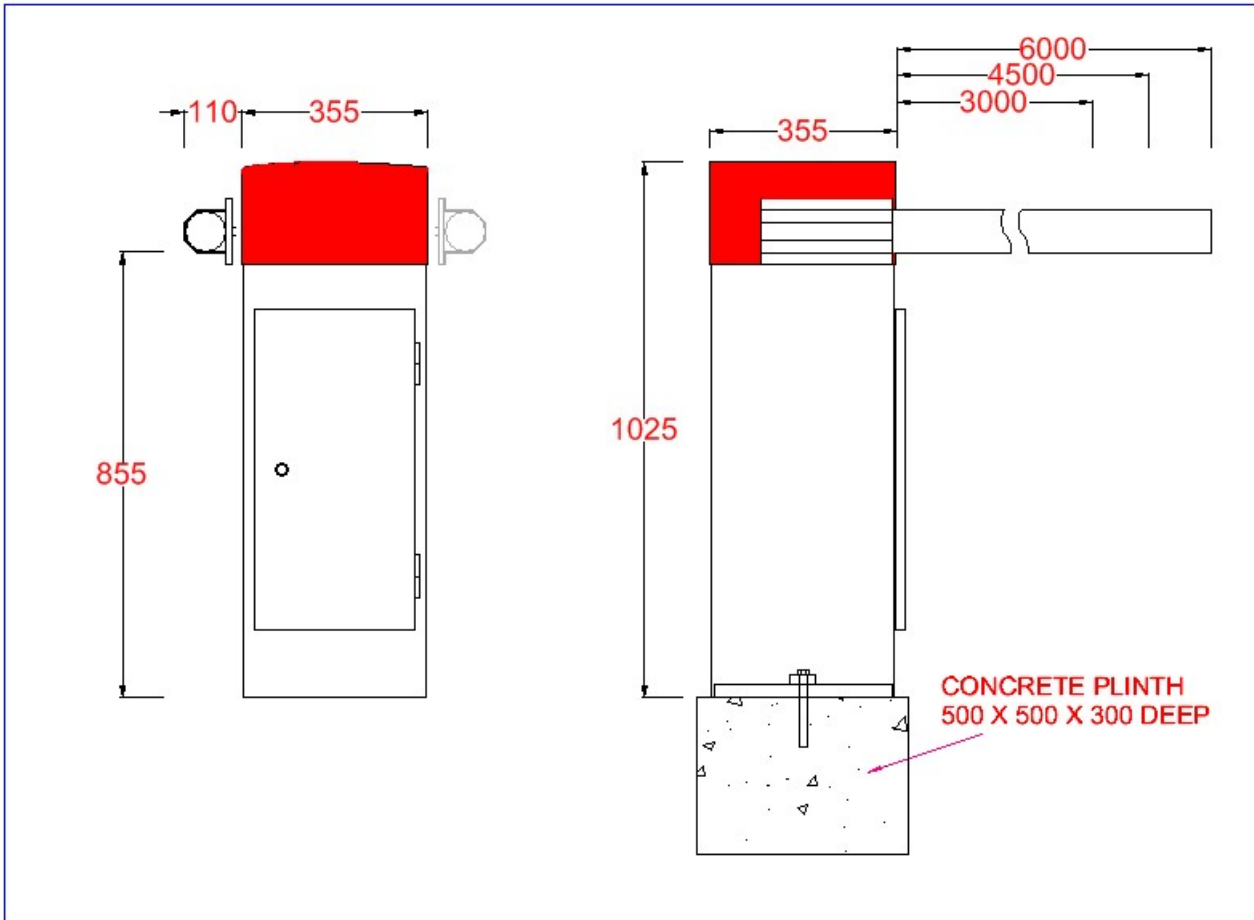
[www.rotech.com.au](http://www.rotech.com.au)

The Sentinel series of boom gates is designed for continuous (100% duty cycle) operation in applications such as large shopping centres, airports and toll roads.

The very fast operating speed allows opening times of up to 2.7 seconds and the design of the control circuit ensures a rapid throughput of vehicles.

The use of a Torque motor eliminates the need for limit switches, reduces the amount of wearing parts and the plug in control panel can be changed in less that 5 minutes reducing down time, loss of revenue and maintenance costs.

The boom gate cabinet is available in mild steel or stainless steel and is powder coated white with a red cover. The boom gates are Australian made based on a European design.



<b>SPECIFICATIONS</b>			
<b>TYPE</b>	<b>NV 3 MET</b>	<b>NV 4.5 MET</b>	<b>NV 6 MET</b>
<b>VOLTAGE</b>	240V		
<b>MOTOR POWER</b>	60W		
<b>TORQUE MOTOR</b>	TM 10 25Nm .3 amp FLC	TM 10 25Nm .3 amp FLC	TM 55 65Nm .3 amp FLC
<b>OPENING TIME +/-</b>	2.7 secs	2.7 secs	5.5 secs
<b>DUTY CYCLE</b>	100% continuous		
<b>POLE LENGTH</b>	3m	4.5m	6m
<b>POLE TYPE</b>	White 76mm round with red reflective decals		
<b>CABINET</b>	Zincaneal steal, primed with zinc rich powder and coated with UV resistant white powder with red cover		
<b>CONTROL LOGIC</b>	BL100B/BL110B or to customer specifications		