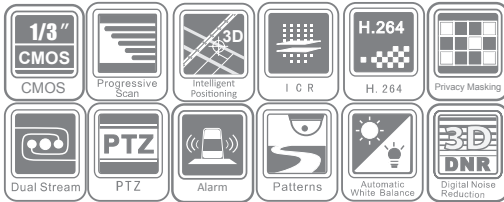


# DS-2DF5274

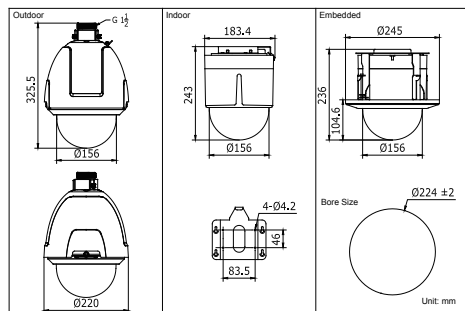
## 1.3 MP Network Speed Dome



### Key features

- 1/3" Progressive Scan CMOS
- 20X Optical Zoom (4.3-86.0mm)
- True Day/Night, 3D DNR
- 25fps(P)/ 30fps(N) at 1280x960 resolution
- H.264/MJPEG, Dual Streaming, Privacy Masking
- Weather-proof: IP66 rating

### Dimensions



### Accessories



DS-2DF5274-A (outdoor) / DS-2DF5274-A3 (indoor)	
<b>Camera</b>	
Image sensor	1/3" Progressive Scan CMOS
Effective pixel	1300K pixels
Min. illumination	Color: 0.05Lux@ ( F1.4, AGC ON), B/W: 0.005Lux@ ( F1.4, AGC ON)
White balance	Auto / manual / one touch wb / atw
AGC	Auto / manual
S / N ratio	≥ 50dB
DNR	Off / normal / expert
BLC	On / off
Shutter time	50Hz: 1/25-1/100,000s, 60Hz: 1/30-1/100,000s
Day & night	IR Cut Filter
Privacy masking	24 privacy masks programmable; a maximum of 8 zones can be masked simultaneously on the same video screen
Focus mode	Auto / semiautomatic / manual
<b>Lens</b>	
Focal length	4.3 - 86.0 mm, 20x
Zoom speed	Approx.5s (Optical Wide-Tele)
Angle of view	54.1 - 3.2 degree (Wide-Tele)
Min. working distance	10 - 1,500mm (Wide-Tele)
Aperture range	F1.4 - F2.6
<b>Pan and tilt</b>	
Pan range	360° endless
Pan speed	Pan manual speed: 0.1° -300°/s, pan preset speed: 540°/s
Tilt range	-5° - 90° (Auto Flip)
Tilt speed	Tilt manual speed: 0.1°-240°/s, tilt preset speed: 400°/s
Proportional zoom	Rotation speed can be adjusted automatically according to zoom multiples
Number of preset	256
Patrol	8 patrols, up to 32 presets per patrol
Pattern	4 patterns, with the recording time not less than 10 minutes per pattern
Power-off memory	Support
Park action	Preset / patrol / pattern / pan scan / tilt scan / random scan / frame scan / panorama scan
PTZ position display	On / off
Preset freezing	Support
<b>Alarm</b>	
Alarm input	7
Alarm output	2 relay outputs, alarm response actions configurable
Alarm actions	Preset, patrol, pattern, sd/sdmc card recording, relay output, notification on client
<b>Input/output</b>	
Monitor output	1.0V[p-p] / 75Ω, NTSC (or PAL) composite, BNC
Audio input	Audio input (Line input), 2-2.4V[p-p]; output impedance: 1KΩ, ±10%
Audio output	Line level, impedance: 600Ω
<b>Network</b>	
Ethernet	10Base-T / 100Base-TX, RJ45 connector
Max.image resolution	1280 × 960
Frame rate	50Hz:25fps(1280×960), 25fps (1280×720); 60Hz:30fps(1280×960), 30fps (1280×720)
Image compression	H.264 / MJPEG / MPEG4
Audio compression	G.711ulaw / G.711alaw / G.726
Protocols	IPv4, HTTP, HTTPS, 802.1x, Qos, FTP, SMTP, UPnP, SNMP, DNS, DDNS, NTP, RTSP, RTP, TCP, UDP, IGMP, ICMP, DHCP, PPPoE
Number of Simultaneous Live View	Up to 10
Dual streams	Support
Mini SD memory card	Manual REC / Alarm REC. Built-in SD/SDHC Slot, up to 32GB
User / host level	Up to 32 users,3 Levels: Administrator, Camera control, Live view only
Security measures	User authentication (ID and PW), Host authentication (MAC address)
<b>System Integration</b>	
Interface for application programming	Open-ended API, support Onvif, PSIA and CGI, hikvision SDK
<b>Client GUI</b>	
Camera control	Pan / tilt, zoom, focus, click centering, drag zoom, iris, preset position call and program, auto mode.
Camera name	Up to 18 characters
Date & time display	Time: week: date, 6 formats on the client
Reading patrol message	Display and reading of preset message contained in each patrol via client software
<b>General</b>	
Menu language	English
RS-485 protocols (optional)	HIKVISION, Pelco-P, Pelco-D, self-adaptive
Power supply	24VAC / 3A
Power consumption	Outdoor dome: Max. 40W (Heater On), Max. 20W(Heater Off); Indoor/In-ceiling dome: Max. 20W
Working temperature / humidity	-30 °C ~ 65 °C (-22 °F ~ 149 °F) (outdoor) / -10 °C ~ 50 °C (14 °F ~ 122 °F) (indoor), 90% or less
Protection level	IP66 standard (outdoor dome); TVS 4,000V lightning protection, surge protection and voltage transient protection
Mounting	Various mounting modes optional
Dimensions	Φ 220 × 325.5mm (Φ 8.66" × 12.81") (outdoor), Φ 183.4 × 247mm (Φ 7.22" × 9.72") (indoor)
Weight (approx.)	5Kg (11.02lbs)